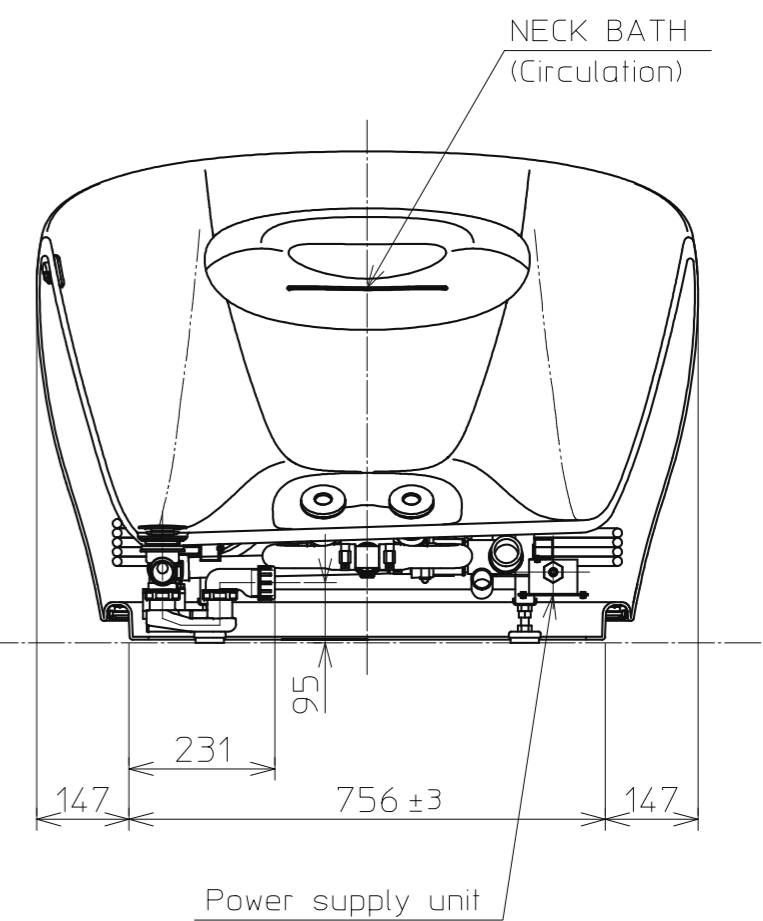
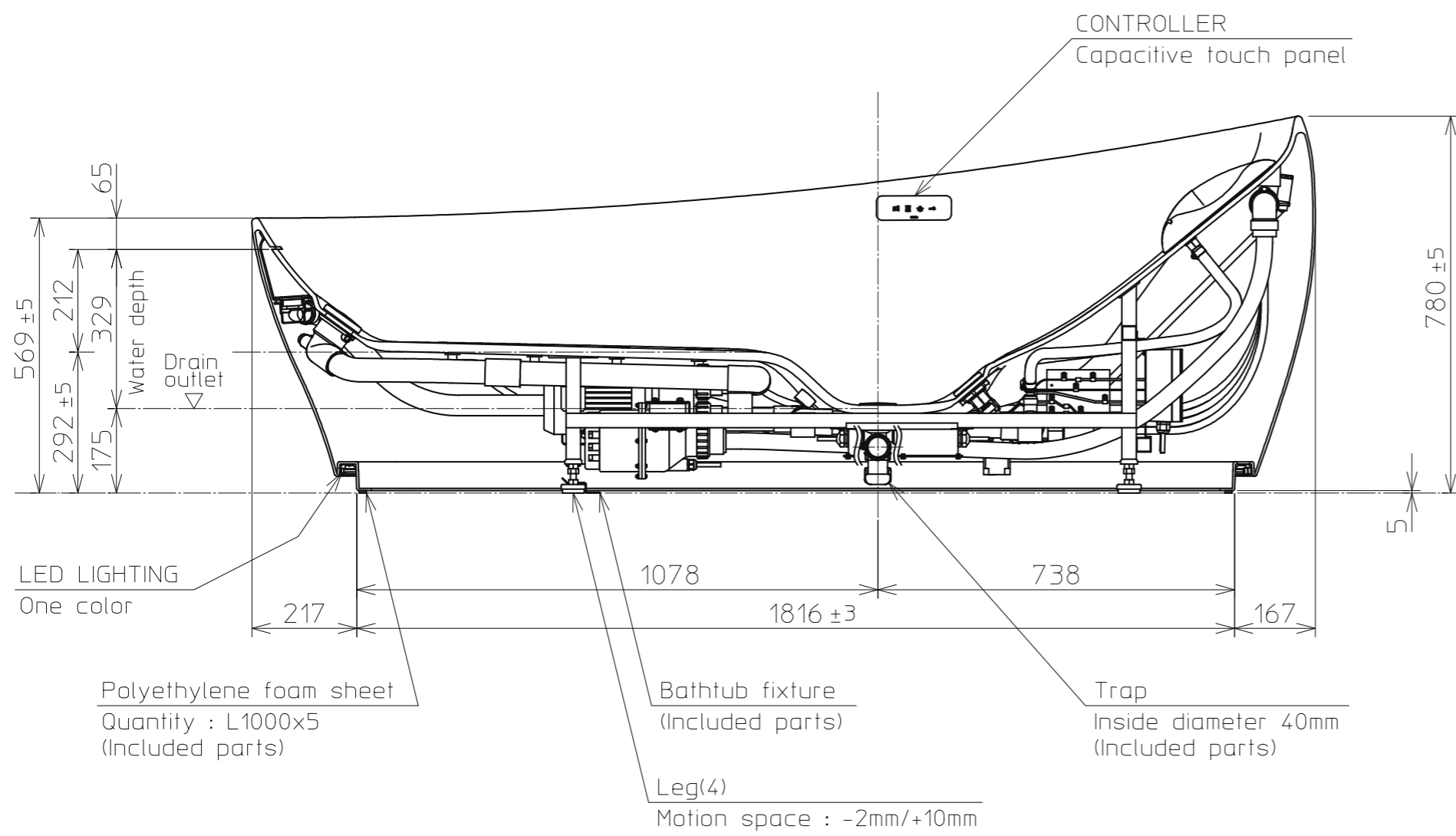


Product specifications	
Rated voltage	220VAC
Rated frequency	60Hz
Rated current	4.0A
Rated power consumption	850W
Standby power consumption	2.8W
Water proof	IPX5
Safety device	<ul style="list-style-type: none"> •Continuous operation preventing device •Overcurrent protection device •Overheating protection device (thermal protector)

Head rest
Motion space : 170mm

HYDRO HANDS(2)
One mode
(Circulation)



TITLE				FLOTATION TUB		UNITS	mm
PRODUCT CODE						PJYD2200PWEK	#GW
MATERIAL						GALALINE	CAPACITY
DATE						2017.10.26	DR.BY
DATE						2017.10.26	Y.IZUMITANI
DATE						2017.10.26	N.FUKUOKA
DATE						2017.10.26	1/2
SCALE						1:12	
COLOR						GLOSS WHITE	
WEIGHT						170kg	

* MATERIAL : GALALINE is an artificial marble made of GFRP sandwich structure.

